

Water Source Modular Heat Pump

Comfort without Compromise

ChillMaster Water Source Heat Pumps are among the most energy and cost efficient systems on the market today and offers a sustainable solution for year-round heating and cooling. With an extensive capacity range, our heat pump systems deliver efficient, reliable temperature and humidity control across various applications.

By harnessing the geothermal or wasted heat and leveraging our tailored operating flexibility, ChillMaster water source heat pumps achieve an impressive Energy Efficiency Ratios (EER). With ChillMaster water source heat pumps, you have the power to precisely allocate heating and cooling capacity where and when it's needed.

ChillMaster water source heat pumps are available in numerous sizes and configurations with several standard and factory-installed options, giving you the flexibility to tailor your systems for today and future expansion.

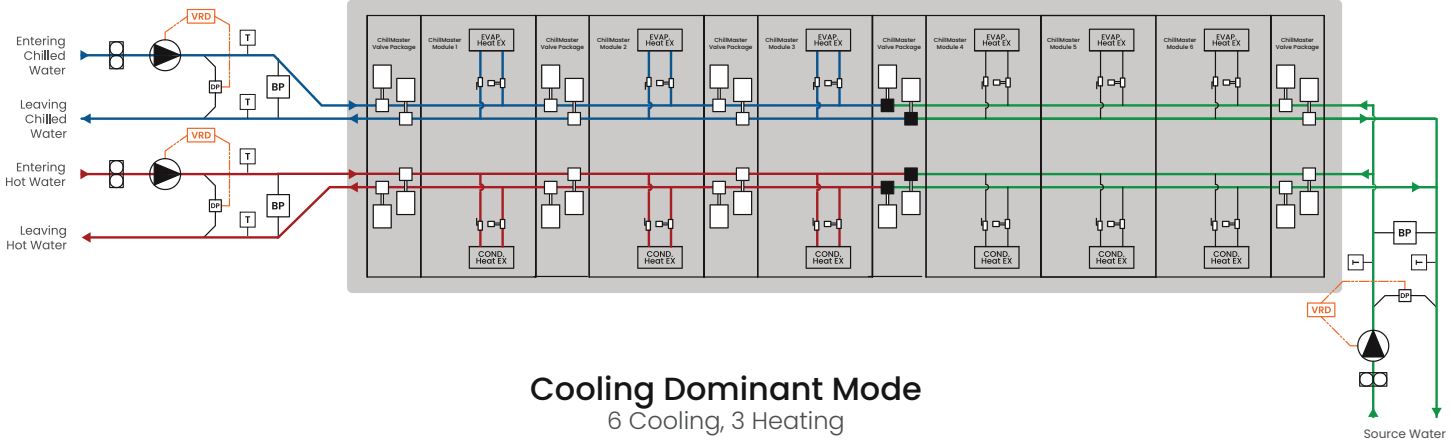
Efficiency Made Easy

- Geothermal and water source systems
- Simultaneous heating and cooling
- Cooling: 40°F chilled water
- Heating: 140°F domestic/hydronic hot water
- Variable speed compressor
- Head pressure control valves
- Rail mounting system
- Noise reducing acoustic paneling
- 24/7 cellular remote monitoring
- Refrigerant: R-454b
 - GWP = 466 (AR4)/467 (AR5), 78% reduction vs. R-410A
- 10-60 ton modular design with single point electrical connection
- Link up to 10 modules for large capacity applications
- 4-pipe, 6-pipe, 8-pipe, and domestic water heating configurations
- Engineered, manufactured and tested in Murfreesboro, TN



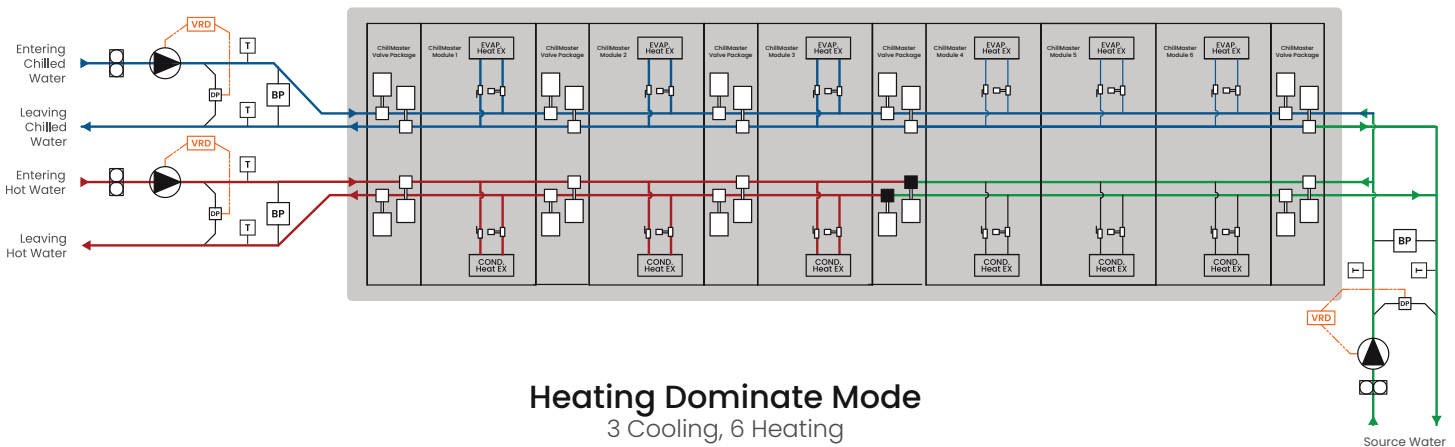
Simultaneous Mode

3 Cooling, 3 Heating



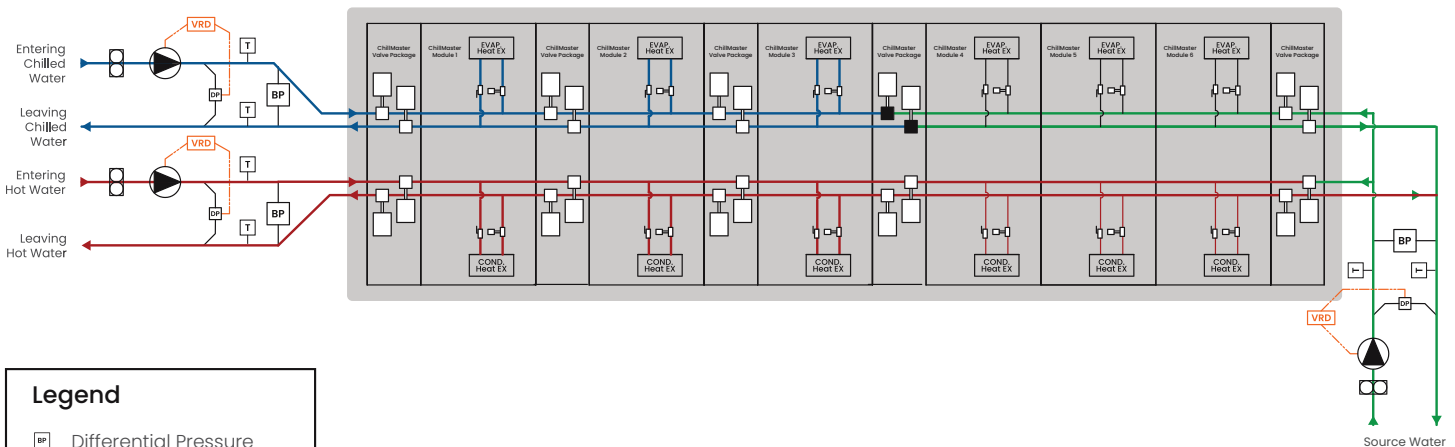
Cooling Dominant Mode

6 Cooling, 3 Heating



Heating Dominate Mode

3 Cooling, 6 Heating



Legend

- Differential Pressure
- Bypass Valve
- Direction of Flow
- Motorized Butterfly Valve
- Manual Butterfly Valve
- Pump
- Strainer
- Variable Frequency Drive
- Temperature Sensor

Note:

Area highlighted in grey is supplied by ChillMaster.

All other components are optional or field provided, except for temperature sensors, which are supplied and installed by ChillMaster.

Learn more at chillmaster.net